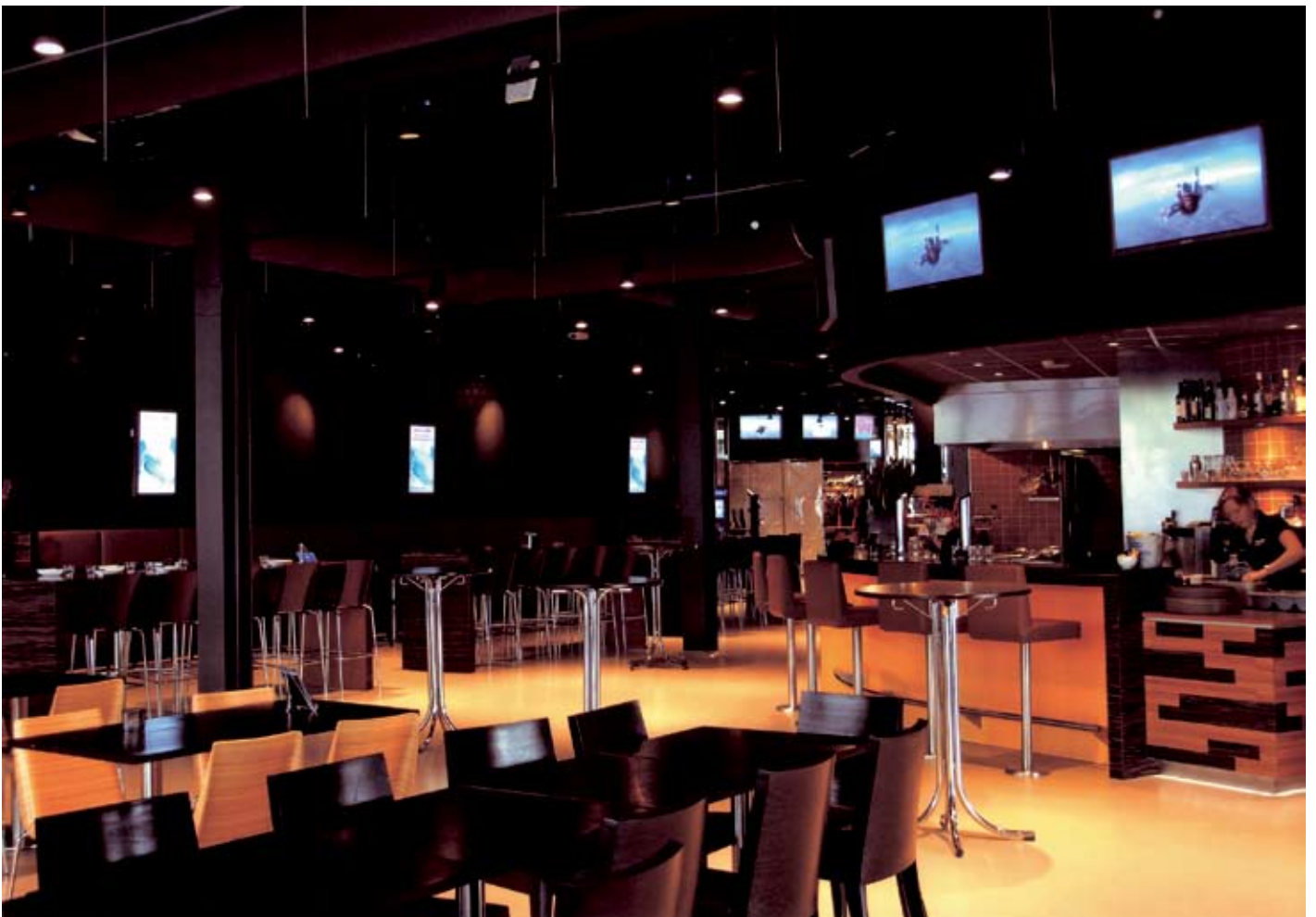


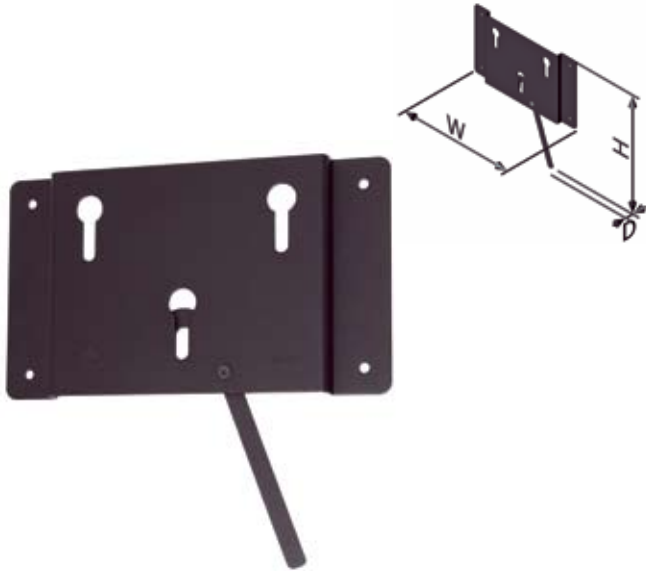


Since the development of flat panels Audipack has been one of the first and most innovative manufacturers of flat panel accessories. This broad range of accessories starts with wall mounts for every conceivable type of flat panel. Flat panels can be fitted to the wall in all sorts of situations with Audipack wall mounts, for example:

- ▲ In offices
- ▲ At home
- ▲ In vehicles such as motor homes and yachts
- ▲ At Points-of-Sale

All Audipack flat panel wall mounts are safe and easy to install, and are available for flat panels up to a diagonal of 120 inch. Of course Audipack also offers a full set of flat panel wall mounts for VESA standard flat panels, as well as the adjustable Uniflatfix wall mounts. Many wall mounts are equipped with the Lock&Secure mounting system.



Flat panel wall mount L&S 3


Ref.	390567
Type	Wall mount, Lock&Secure
Dimensions in mm	W 340 x D 18 x H 198
Max. diagonal flat panel	50"
Colour	Black RAL 9005

Flat panel wall mount L&S 3


Ref.	390652
Type	Wall mount, continuously inclinable 0-10°, Lock&Secure
Dimensions in mm	W 359 x D 41 x H 260
Max. diagonal flat panel	50"
Colour	Black RAL 9005

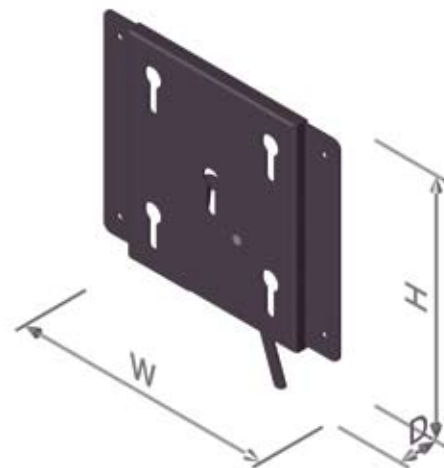
Option

230052	Numeric padlock
---------------	-----------------

Wallmount L&S 5
NEW: Lock&Secure 5

For the largest flat panels Audipack now offers accessories with 5 mounting points (Lock&Secure 5) for added stability.

Flat panel brackets with 3 mounting cams are fully compatible as well with the Lock&Secure 5 accessories!



Ref.	390967
Type	Wall mount with 5 mounting points, Lock&Secure 5
Dimensions	W 340 x D 18 x H 198 mm
Max. diagonal flat panel	84 inch
Colour	Black RAL 9005

Wall mounts L&S 3



Ref.	390585	390617
Type	Wall mount, tiltable -5 to +20° in 5° steps	Wall mount, tiltable - 5 to +15° in 5° steps
Dimensions in mm	W 350 x D 50 x H 200	W 362 x D 64 x H 208
Max. diagonal flat panel	50"	63"
Colour	Black RAL 9005	Black RAL 9005

Option

230052	Numeric padlock	
---------------	-----------------	--

Option



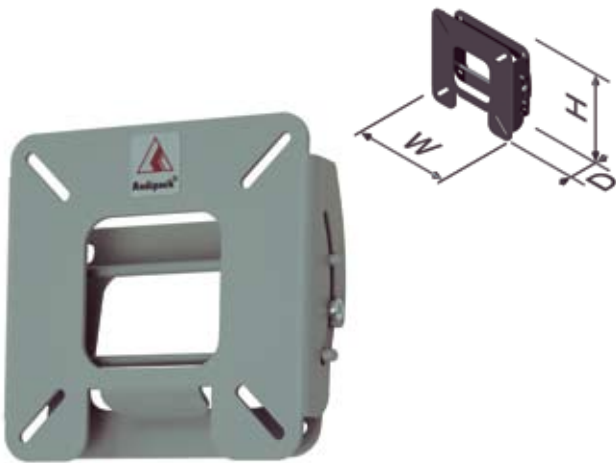
Ref.	230052
Type	Numeric padlock for L&S wall mounts

VESA flat panel wall mount



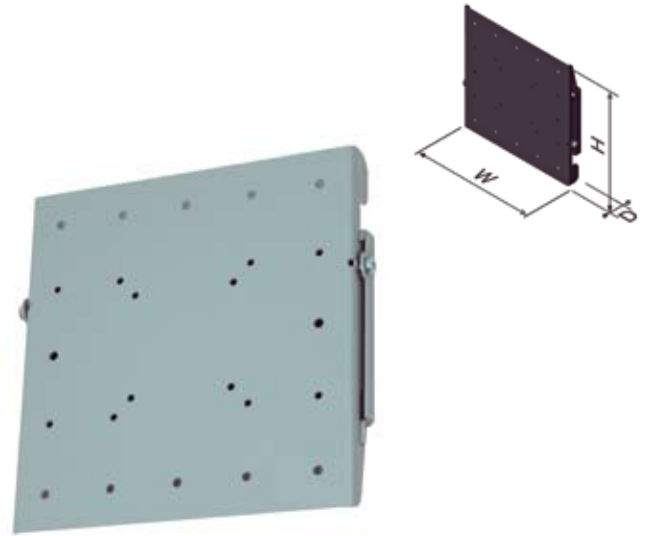
Ref.	390800
Type	Wall mount VESA 75/100, forward inclinable 0-25°
Dimensions in mm	W 114 x D 53 x H 114
Max. diagonal flat panel	30"
Max. load	15 Kg
Colour	Grey RAL 9006

VESA flat panel wall mount



Ref.	390820
Type	Wall mount VESA 75/100, forward inclinable 0-15°
Dimensions in mm	W 130 x D 32 x H 125
Max. diagonal flat panel	20"
Max. load	10 Kg
Colour	Grey RAL 9006

VESA flat panel wall mount



Ref.	390840
Type	Wall mount VESA 75/100/200
Dimensions in mm	W 250 x D 28 x H 250
Max. diagonal flat panel	55"
Max. load	50 Kg
Colour	Grey RAL 9006



Don't go unprepared...



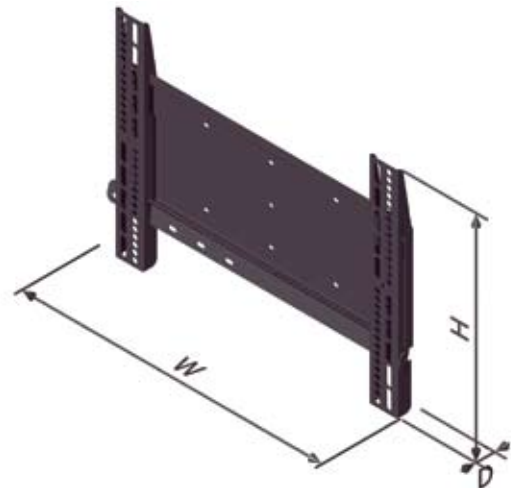
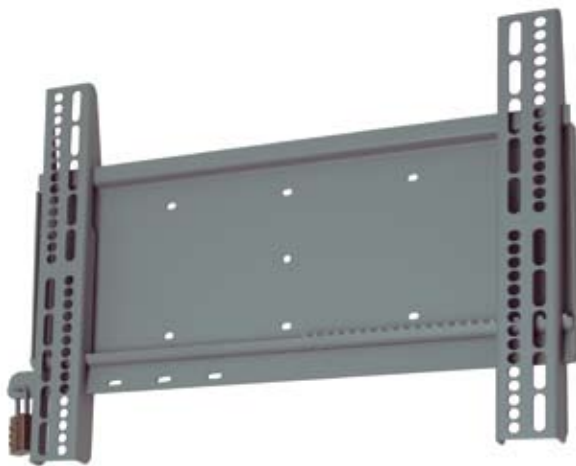
The Audipack tool cases

Extremely flat, durable and adjustable: Audipack Uniflatfix® universal wall mounts

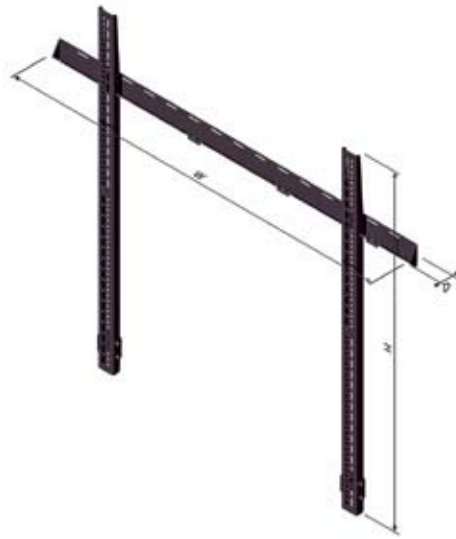


The versatile Audipack Uniflatfix universal flat panel wall mounts are completely adjustable and fix your flat panel extremely flat onto the wall (Uniflatfix), or tiltable (Uniflatfix Plus®). This easy to install concept features a theft delaying security bar and is available in various sizes. All types are extremely flat, with depth starting at 28 mm. As long as the mounting points of your flat panel are within the reach of the Uniflatfix wall mount's vertically adjustable mounting bars, you'll have the perfect adjustable wall mounting solution for flat panels from 26 up to 55 inch.

Universal flat panel wall mount



Ref.	390688	390690	392688	392690
Type	Adjustable wall mount	Adjustable wall mount	Adjustable wall mount, tiltable 0-10°	Adjustable wall mount, tiltable 0-10°
Dimensions in mm	W 530 x D 28 x H 400	W 728 x D 28 x H 500	W 540 x D 60 x H 400	W 740 x D 60 x H 500
Max. range flat panel mounting points	W 470 x H 360	W 670 x H 446	W 470 x H 360	W 670 x H 446
Max. load	50 Kg	50 Kg	50 Kg	50 Kg
Colour	Grey RAL 9006	Grey RAL 9006	Grey RAL 9006	Grey RAL 9006

Large screen wall mounts


Ref.	392696	392698
Type	Adjustable wall mount	Adjustable wall mount,
Dimensions in mm	W 1550 x D 50 x H 800	W 1550 x D 50 x H 1350
Max. range flat panel mounting points	W 2000 x H 740	W 3000 x H 1290
Max. load	100 Kg	120 Kg
Colour	Grey RAL 9006	Grey RAL 9006

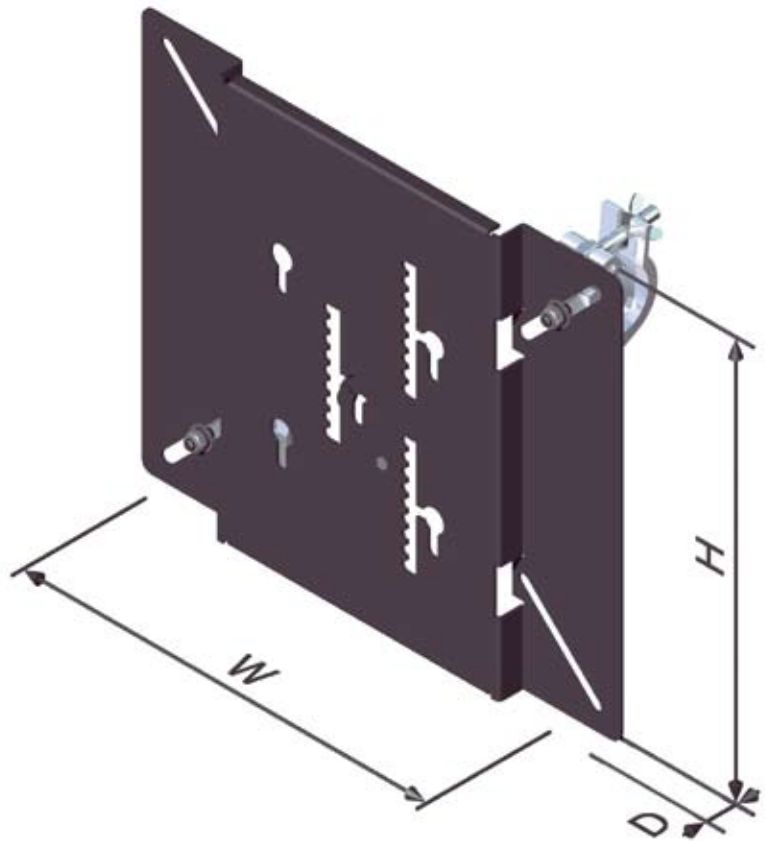
Column mounts are ideal to install flat panels to round or square columns. The metal belts guarantee a flexible and secure way of mounting, not affecting the physical strength and finish of the column. All Audipack Lock&Secure mounts can be used in combination with this concept. All flat panel column mounts are custom made to client order.



Please contact us for more information about this custom made product and further options.

Flat panel truss mount L&S 3

Mounting a flat panel to a truss could not be easier: the truss mounts are fixed directly to the truss with two adjustable clamps. The flat panel is fixed to the truss mount either in landscape or in portrait position with an Audipack flat panel bracket. The truss mounts features Audipack’s unique Lock&Secure system for optimal security.



Ref.	390694	392560
Type	Truss mount, Lock&Secure, with 2 truss clamps	
Dimensions in mm	W 450 x D 30 x H 450 excluding clamps, W 450 x D 135 x H 450 including clamps	W 536 x D 30 x H 450 excluding clamps, W 536 x D 135 x H 450 including clamps
Colour	Black RAL 9005	

The glass protector is an aesthetical solution to protect your flat panel.

The flat panel is protected against (easily) being touched by a glass panel, which affects the appearance of your room and the flat panel as little as possible. The glass protector's airy looks are aided by the 4 beautifully finished stainless steel wall fixation bushes.

The glass protector is a custom made solution only. The glass panel is designed for each application. Cut outs in the glass for audio and coloured coatings on the glass are optionally available.



For additional security it is possible to fit an optional stainless steel frame around the flat panel, behind the glass panel. The frame closes the space between the glass panel and the wall to optimize protection of your flat panel, while maintaining the visual appearance. Glass protections are available for any flat panel brand, type and size.



